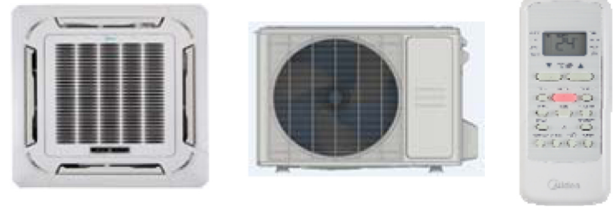


**DiamondAir 20 SEER2 18K BTU  
Ceiling Cassette Mini Split**

**Set Model**

Indoor unit model DF2018CI  
Outdoor unit model D2018SHO2

**Certified**



**SYSTEM PERFORMANCE DATA**

<b>Power supply</b>		
Normal Operational Voltage	(V, Ph, Hz)	208/230V,1Ph, 60Hz
Voltage Range	(V)	187-253
<b>Electrical</b>		
Minimum circuit ampacity(Outdoor)	(A)	20.0
Max.fuse(Outdoor)	(A)	25.0
Connection wiring		14*4 AWG
<b>Cooling</b>		
Capacity	(Btu/h)	16000(5600~17000)
Power Input	(W)	1280(250~1800)
Current	(A)	8.0(1.70~8.6)
SEER2	(Btu/W)	20.0
EER2	(Btu/W)	12.5
<b>Heating</b>		
Capacity	(Btu/h)	17000(8700~21000)
Power Input	(W)	1690(590~2400)
Current	(A)	10.8(3.7~12.2)
HSPF2-4	(Btu/W)	9.5
HSPF2-5	(Btu/W)	7.8
COP	W/W	2.95
Heat at 17F(H32)	(Btu/h)	15900
Heat at 5F(H42)	(Btu/h)	16000
COP at 5F(H42)	W/W	1.75

**REFRIGERANT PIPE DATA**

Throttle type	Indoor unit	N/A
	Outdoor unit	EXV
Design pressure	(PSIG)	550/340
Refrigerant Type		R410A
Refrigerant charge	oz	65.26
	(ft)	25.0
Refrigerant precharge	(m)	7.5
Additional charge for each ft	(oz/ft)	0.16
Additional charge for each m	(g/m)	15.0
Liquid side/ Gas side(indoor)	(inch)	1/4" / 1/2"
	(mm)	6.35/12.7
Liquid side/ Gas side(outdoor)	(inch)	1/4" / 1/2"
	(mm)	6.35/12.7
Max. pipe length	(ft)	98.4
	(m)	30.0
Max. difference in level	(ft)	65.6
	(m)	20.0
Connection method		Flared
Indoor(cooling)	(Deg. °F)	62~90
	(Deg. °C)	17~32
Indoor(heating)	(Deg. °F)	32~86
	(Deg. °C)	0~30
Outdoor(cooling)	(Deg. °F)	-22~122
	(Deg. °C)	-30~50
Outdoor(heating)	(Deg. °F)	-22~75
	(Deg. °C)	-30~24

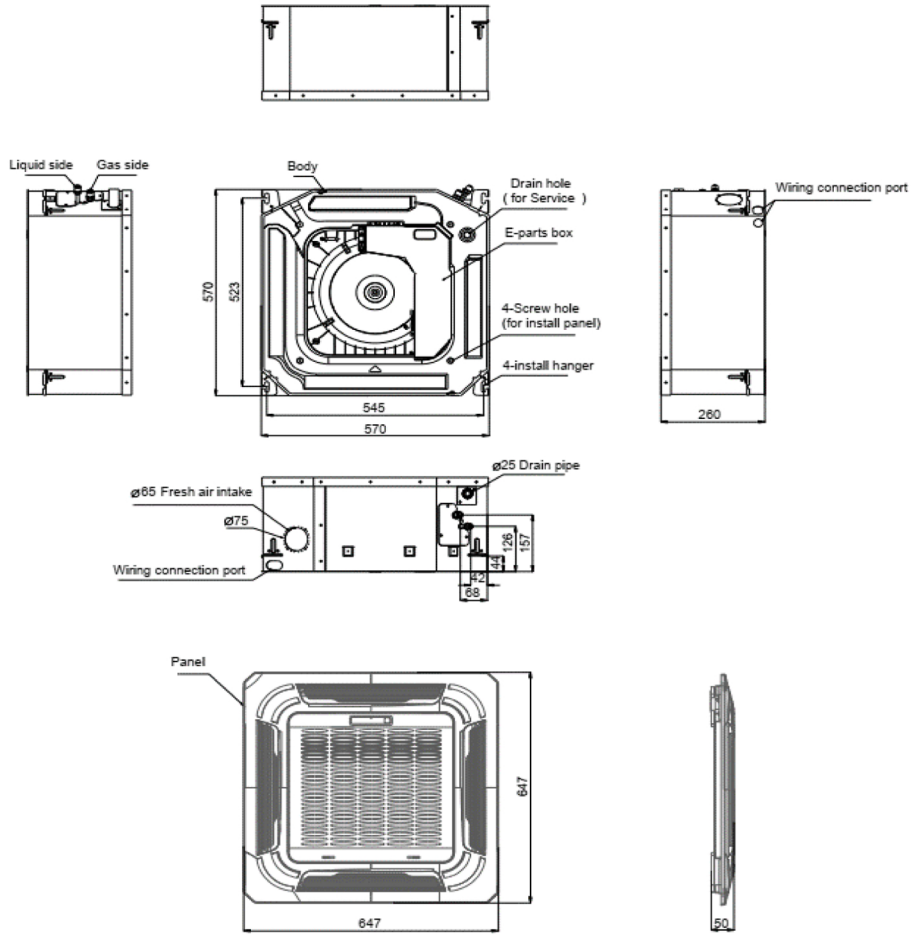
**INDOOR UNIT DATA**

<b>Indoor fan motor</b>		
Model		ZKFP-46-8-1
Qty		1
Input	(W)	45.00
Output	(W)	46.0
RLA	(A)	1.50
Speed(Hi/Mi/Lo)	(r/min)	730/630/570
<b>Air flow &amp; Noise level</b>		
Indoor air flow (Hi/Med/Lo) (No duct)	(CFM)	//562.35/485.29/438.82
Indoor noise level (Hi/Med/Lo)	[dB(A)]	43.5/38.5/35.5
<b>Dehumidification</b>	(L/H)	2.22
<b>Indoor unit</b>		
Dimension (WxDxH)	(inch)	22.44x22.44x10.24
	(mm)	570x570x260
Packing(WxDxH)	(inch)	26.06x26.06x12.48
	(mm)	662x662x317
Net/Gross weight	(lbs.)	35.71/46.96
	(kg)	16.2/21.3

**OUTDOOR UNIT DATA**

<b>Compressor</b>		
Type		Twin-ROTARY
Model		KTM240D43UKT
Brand		GMCC
Capacity	(Btu/h)	25931
Input	(W)	2045
Rated current (RLA)	(A)	14.3
Refrigerant oil/oil charge	(ml)	ESTER OIL VG74 620
<b>Outdoor fan motor</b>		
Model		ZKFN-80-8-3
Qty		1
Input	(W)	/
Output	(W)	80.00
RLA	(A)	0.76
Speed	(r/min)	810/720
<b>Air flow &amp; Noise level</b>		
Outdoor air flow (Max.)	(CFM)	1764.7
Outdoor noise level	[dB(A)]	59.0
<b>Outdoor unit</b>		
Dimension (WxDxH)	(inch)	35.04x13.46x26.50
	(mm)	890x342x673
Packing (WxDxH)	(inch)	39.17x15.67x29.13
	(mm)	995x398x740
Net/ Gross weight	(lbs.)	100.97/108.03
	(kg)	45.8/49

Indoor unit dimension



Outdoor unit dimension

